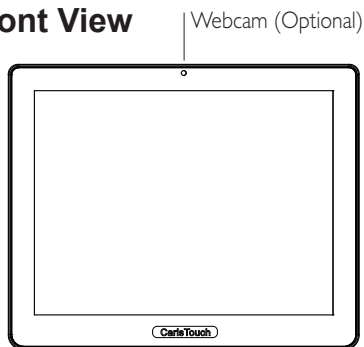


# CarisTouch CT15M Quick Start Guide

## Front View



Power Switch

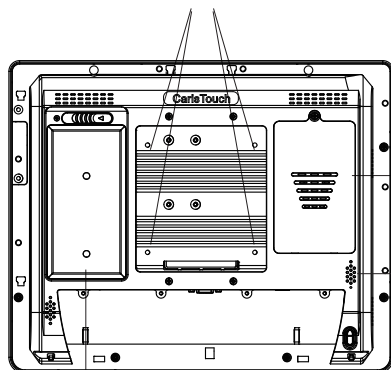
## Bottom View



Power Switch

## Back View

VESA 100 threaded mounting holes

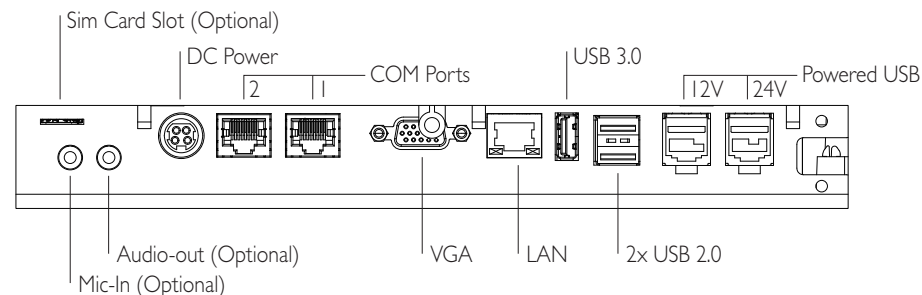


SSD / Hard Drive Bay

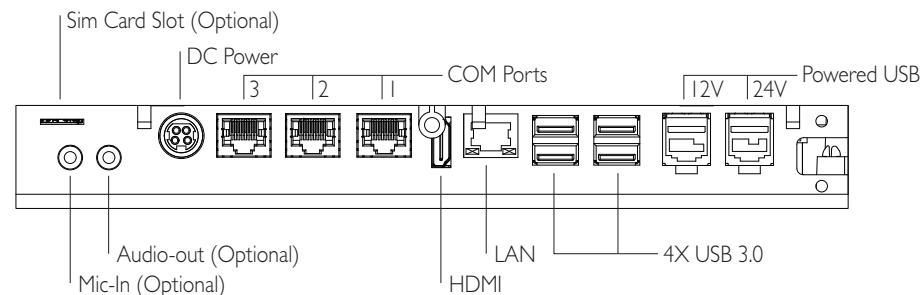
Built-in Speaker (Optional)

External Battery (Optional)

## I/O info Part Number: QXX-MXXXXX-XX



## I/O info Part Number: QXX-YXXXXX-XX



## Setup Information:

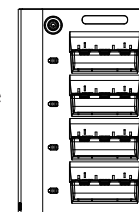
Plug the power cord into the DC Power port before turning on the unit via the power switch.

For units with the optional battery installed:

1. Make sure the battery is fully charged before turning the unit on for the first time. Batteries can be charged on a CT15M connected to a DC power source or via the mBAY Charging Station.
2. The CT15M will make a beeping noise once the external battery reaches low levels and will continue to beep until the battery is replaced.
3. Replace the external battery with a fully charged battery as soon as possible for uninterrupted usage.

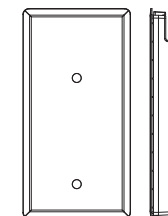
## Optional Accessories

4HW-CBA03:  
mBAY 4 battery charging station, white



4HB-BAT01:  
External Battery  
(5200 mAh)

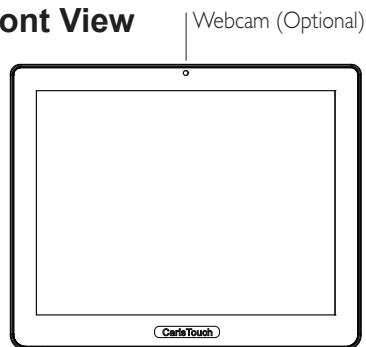
4HG-BAT02:  
External Battery  
(13400 mAh)



For product support:  
US & Canada: support@pioneersolution.com,  
or call 909-468-9757, option 2  
Others: support@evensystems.com

# CarisTouch CT15M Quick Start Guide

## Front View



Power Switch

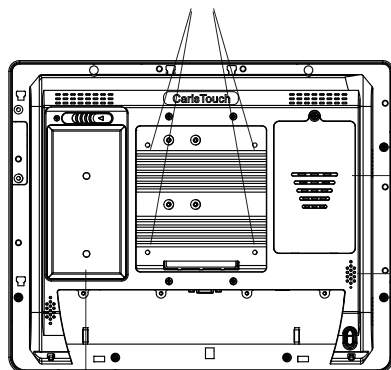
## Bottom View



Power Switch

## Back View

VESA 100 threaded mounting holes

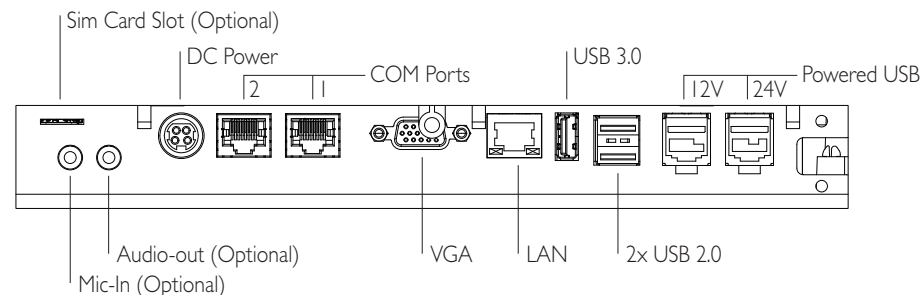


SSD / Hard Drive Bay

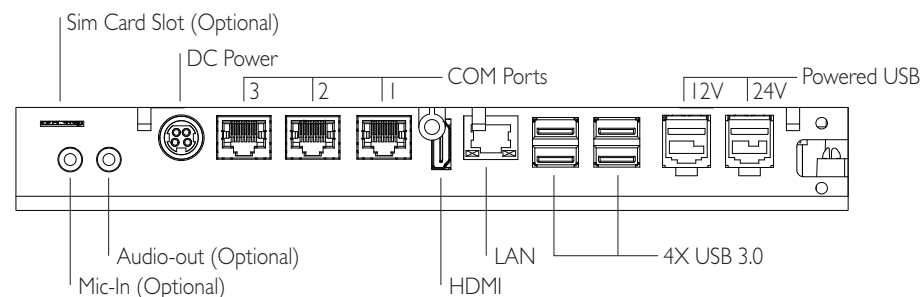
Built-in Speaker (Optional)

External Battery (Optional)

## I/O info Part Number: QXX-MXXXXX-XX



## I/O info Part Number: QXX-YXXXXX-XX



## Setup Information:

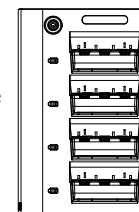
Plug the power cord into the DC Power port before turning on the unit via the power switch.

For units with the optional battery installed:

1. Make sure the battery is fully charged before turning the unit on for the first time. Batteries can be charged on a CT15M connected to a DC power source or via the mBAY Charging Station.
2. The CT15M will make a beeping noise once the external battery reaches low levels and will continue to beep until the battery is replaced.
3. Replace the external battery with a fully charged battery as soon as possible for uninterrupted usage.

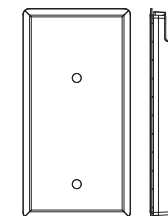
## Optional Accessories

4HW-CBA03:  
mBAY 4 battery charging station, white



4HB-BAT01:  
External Battery  
(5200 mAh)

4HG-BAT02:  
External Battery  
(13400 mAh)



For product support:  
US & Canada: support@pioneersolution.com,  
or call 909-468-9757, option 2  
Others: support@evensystems.com