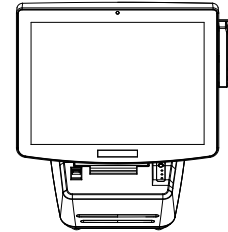




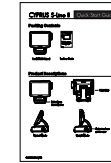
WEEE STATEMENT (Waste, Electrical and Electronic Equipment)

The WEEE directive places an obligation on manufacturer who sell into EU countries to take back electronic products at the end of their useful life. The symbol (shown here) will be on PIONEERINC products and/or packaging, which indicates that this product must NOT be disposed of with other waste. Instead it is the user's responsibility to dispose of their waste electrical and electronic equipment by handing it over to an approved reprocessor, or by returning it to PIONEERINC for reprocessing. For more information about where you can send your waste equipment for recycling, please contact your local recycling facility or PIONEERINC at info@pioneersolution.com

Packing Contents

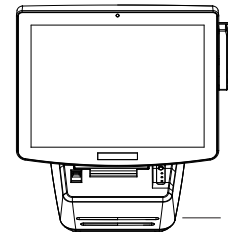


1 x CYPRUS S-Line II

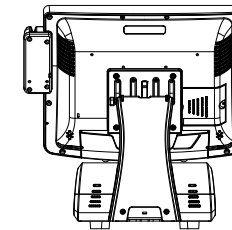


1 x Quick Start Guide

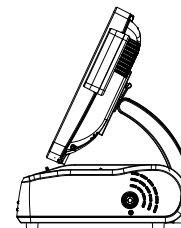
Product Descriptions



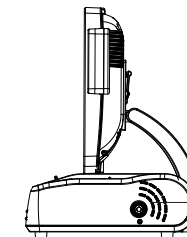
Built-in Epson thermal printer



HDD/SDD



Normal Mode



Upright Mode

Button to release printer cover



Please visit us at www.pioneersolution.com

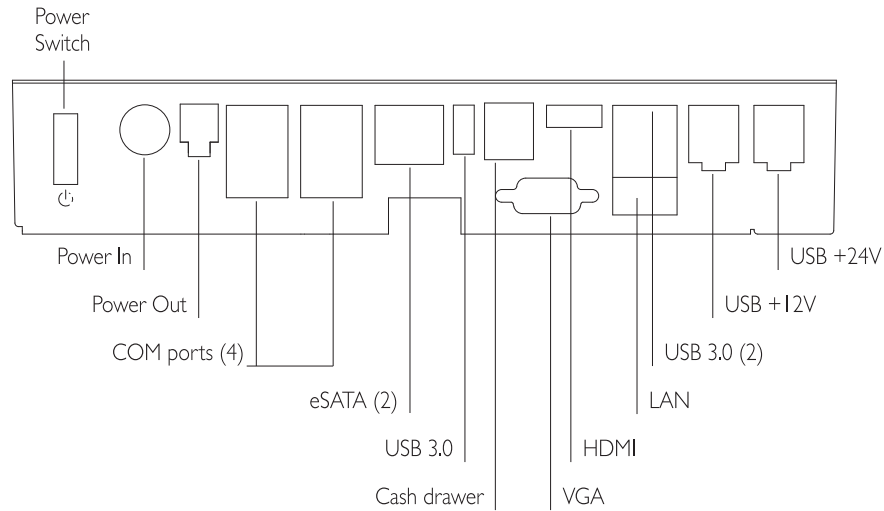
For product support:

US & Canada: support@pioneersolution.com, or call 909-468-9757, option 2

Others: support@evensystems.com

IO Port PanelView P/N: Q, S, U, W, H, K, N, Pxxxxxxxxx

(CPU: Core Pentium, i3, i5, i7)

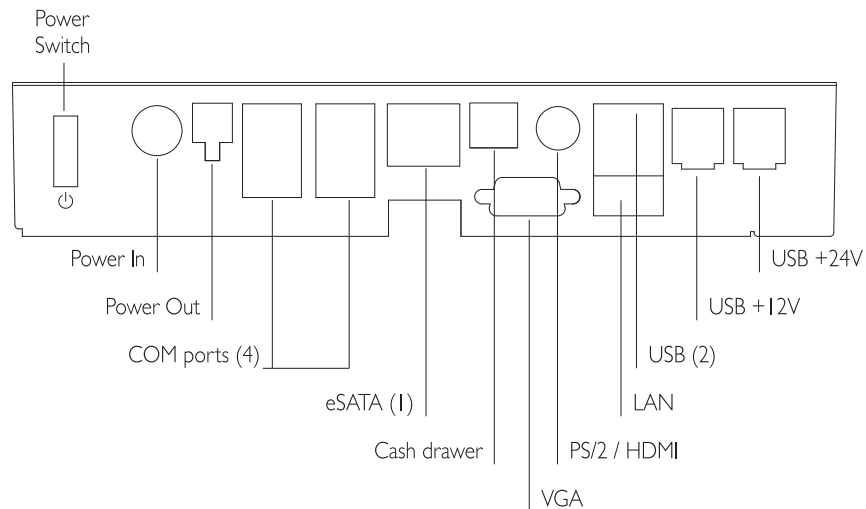


Quick Setup

- 1 Locate base back cover.
- 2 Lift from bottom to remove cover.
- 3 Route cables via opening slot.
- 4 Tilt monitor head back and pull down to open IO cover.
- 5 Route cables to the front and connects them to respective ports.

IO Port PanelView P/N: Gxxxxxxxxx, Axxxxxxxxx

(CPU: AtomDC 2.13GHz, AtomQC 2.00GHz)



Height Adjustment To change screen angle from normal to upright position, follow instructions below.

- 1 Adjust monitor to about 45 degree in angle.
- 2 Press and hold button to release lock. While grabbing onto "neck" of base, proceed to next step.
- 3 Do not release lock, use other hand to pull monitor upward from the bottom.
- 4 A 'click' sound will be heard when monitor is at the upright position.
- 5 To release monitor back to normal height, repeat Step 2 and Push monitor downward.